

GAS FRONT LOAD DRYER

8.0 Cu. Ft.

EFMG427UIW

Perfect Steam™ Dryer with IQ-Touch™ Controls



PRODUCT DIMENSIONS

| | |
|--------|---------|
| Height | 38" |
| Width | 27" |
| Depth | 31-1/2" |

MORE EASY-TO-USE FEATURES

EXTRA-LARGE CAPACITY DRYER

Dry more in each load with our 8.0 cu.ft. dryers.

PLATINUM STAR® LIMITED WARRANTY

Our exclusive limited warranty that includes three-year coverage on parts and one year on labor.²

7 CYCLES TO CARE FOR EVERY FABRIC

Perfectly dry every item with tailored cycles for towels, delicates, and more.

FITS MORE ROOMS WITH REVERSIBLE DOOR

Enjoy easy loading no matter how your washer and dryer are configured.

OPTIONAL PEDESTALS AND STACKING KIT FOR MORE INSTALLATION OPTIONS

Raise your units with optional pedestal drawers that provide extra storage. Or use the optional stacking kit for convenient placement in small spaces.

LUXURY-DESIGN® LIGHTING

Conveniently find any article of clothing with premium LED lighting that provides visibility inside your dryer.

BRILLIANT LED DISPLAY SHINES IN EVEN THE DARKEST LAUNDRY ROOMS

Our beautifully bright display illuminates information on cycles and lets you know how much time is left.

LUXURY-QUIET™ SOUND SYSTEM

So quiet you can run it whenever you want without disrupting your household.

CONTROL LOCK

To help avoid unwanted use.

Available in:



Island White
(IW)

SIGNATURE FEATURES



KEEPS CLOTHES LOOKING THEIR BEST

Clothes are gently tumbled while moisture sensors detect when clothes are dry to prevent over-drying.



20-MINUTE FAST DRY!¹

Quickly dry the items you need most.



ENERGY STAR®-CERTIFIED

Rigorously tested to do more with less. Electrolux dryers meet strict criteria to guarantee high-quality energy efficient performance.



PERFECT STEAM™ WRINKLE RELEASE OPTION

Gently releases wrinkles and reduces static to keep clothes looking their best.

¹Fastest time based on smallest load/Fast Dry cycle selected for various load compositions.

²Eligibility based on product registration with Electrolux North America within 60 days of purchase. Products must have been purchased on or after July 1, 2013. See limited warranty for details. Limited time offer.

GAS FRONT LOAD DRYER

EFGM427UIW



27" GAS FRONT LOAD DRYER

| | |
|-----------------|------------|
| Capacity D.O.E. | 8.0 Cu.Ft. |
|-----------------|------------|

FEATURES

| | |
|---------------------------|--------------------|
| Pull-to-Open Door | Yes |
| iQ-Touch™ Controls | Yes |
| Perfect Steam™ Dry System | Yes |
| Dry System | Luxury-Dry™ |
| Sound System | Luxury-Quiet™ |
| Lighting | Luxury-Design® LED |
| Tumble System | Gentle Tumble™ |
| Moisture Sensor | Yes |
| Dryer Drum | Painted Steel |
| Tumble Speed (RPM) | 50 |
| Reversible Door | Yes |
| Adjustable Leveling Legs | Yes |
| ENERGY STAR® | Yes |

CYCLES

| | |
|---|---|
| Timed Dry (30, 45, 60), Heavy Duty, Mixed Load, Towels, Normal, 20-Min. Fast Dry, Delicates | 7 |
|---|---|

OPTIONS

| | |
|-----------------------------|--------|
| Temperature Selections | 4 |
| Add Steam | Yes |
| Electronic Auto Dry System | Yes |
| Manual Timed Dry Selections | 4 |
| Delay Start (Hours) | 12 |
| End-of-Cycle Chime | On/Off |
| Dryness Levels | 4 |

INSTALLATION OPTIONS

| | |
|--|-----|
| Freestanding, Under Counter*, Stacked (Above Washer), Pedestal, Hidden (In Closet), Second Floor | Yes |
| 4-Way Dryer Venting | Yes |

ACCESSORIES

| | |
|---|----------|
| Luxury-Glide® Pedestal with Spacious Storage Drawer—Island White – PN# EPWD257UIW | Optional |
| LP Gas Conversion Kit – PN# PCK4200 | Optional |
| Dryer Stacking Kit – PN# STACKIT7X | Optional |
| Drying Rack – PN# A04840701 | Optional |
| Assembly Hose Kit – PN# 5304495002 | Optional |

SPECIFICATIONS

| | |
|---|------------------------------|
| Color – | |
| Island White | IW |
| Maximum Exhaust Duct Length** (Ft.) | 125 |
| Gas/Power Supply Connection Location | Centerline Lower Rear / Rear |
| Voltage Rating | 120V / 60 Hz |
| Connected Load (kW Rating) @ 120 Volts† | 0.835 |
| Amps @ 120 Volts | 9.0 |
| Heating Element (BTU / HR) | 20,000 |
| Shipping Weight (Approx.) | 140 Lbs. |

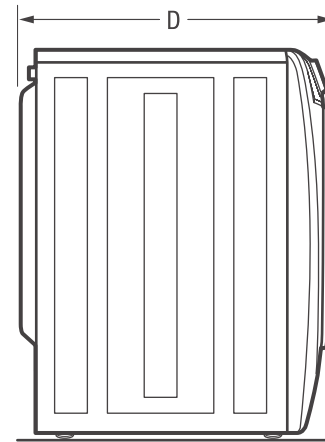
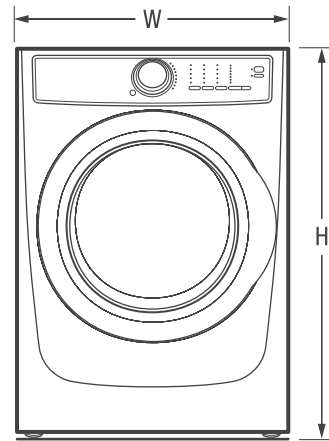
*Side-by-Side units in under-counter installation require custom-built countertop and/or cabinetry.

**Rigid metal duct preferred, semi-rigid optional and allow deductions for elbows and vents. Refer to Installation Guide on web for additional information.

†An electrical supply with grounded three-prong receptacle is required. The power supply circuit must be installed in accordance with current edition of National Electrical Code (NFPA 70) and local codes & ordinances.

NOTE: Always consult local and national electric, gas and plumbing codes. Refer to Product Installation Guide for detailed installation instructions on the web at electroluxappliances.ca.

Specifications subject to change.



PRODUCT DIMENSIONS

| | |
|---|---------|
| Height (without 15" Pedestal) | 38" |
| (with 15" Pedestal) | 53-1/4" |
| Width | 27" |
| Depth (to Center of Arc Not Including Hose) | 31-1/2" |
| (with Door 90° Open) | 50-5/8" |

Electrolux Major Appliances, N.A.

USA • 10200 David Taylor Drive • Charlotte, NC 28262 • 1-877-4electrolux (1-877-435-3287) • electroluxappliances.com
 CANADA • 5855 Terry Fox Way • Mississauga, ON L5V 3E4 • 1-800-265-8352 • electroluxappliances.ca

EFGM427U 0518

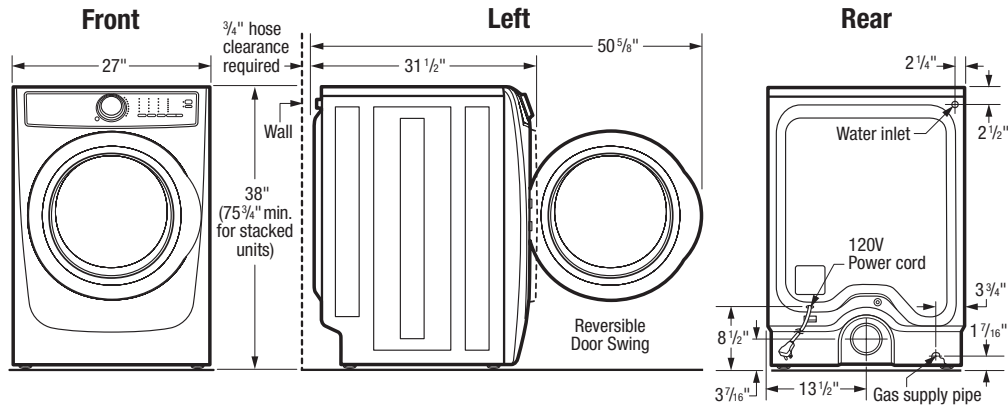
© 2018 Electrolux Home Products, Inc.



High standards of quality at Electrolux Home Products, Inc. mean we are constantly working to improve our products. We reserve the right to change specifications or discontinue models without notice.

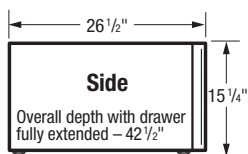
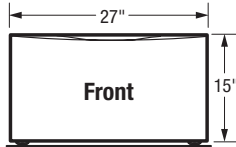
GAS FRONT LOAD DRYER

EFMG427UIW

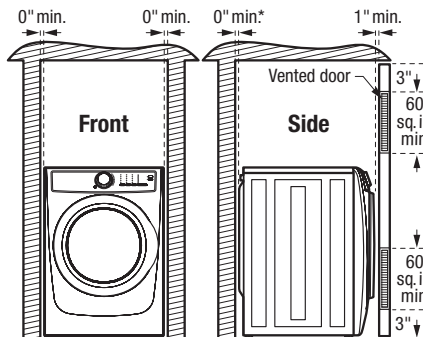


15" Pedestal Drawer Installation

Elevates dryer height to 53 1/4". For detailed pedestal installation, refer to instructions included with pedestal or on web. Pedestal installation may require modified utility hookup locations. For details, refer to Product Installation Guide on web.



Built-In Installations



*Steam dryer requires additional 3/4" hose clearance.

Closet Installation:

If washer and dryer are installed in same closet, door(s) MUST be vented with 120 sq. in. minimum louvered opening, equally divided, located 3" from top and bottom of door. Louvered door(s) with equivalent air openings for full-length of door is acceptable. Air openings MUST remain unobstructed with door(s) installed.

Installation Clearances:

Dryer can be built in alone or with washer (side by side or stacked) in closet, recess or under counter installation with 0" minimum clearance required around sides and back of unit(s). To achieve 0" minimum rear clearance, dryer MUST be vented straight back or with quick-turn 90° elbow. Steam dryer requires additional 3/4" steam hose clearance at back of unit(s). Installation of closet door(s) requires additional 1" minimum clearance between front of unit(s) and door(s). Location of plumbing, exhaust and utility hookups MUST be considered when planning any built-in installation. For additional installation details, refer to Product Installation Guides on web.

Under Counter Installation:

Installation of dryer alone or side by side with washer under counter, requires custom-built countertop and/or cabinetry to accommodate unit(s) height.

Stacking Units:

Stacking dryer above washer requires use of optional Stacking Kit (PN# STACKIT7X) with modified utility hookup locations for dryer. For complete installation details, refer to instructions included with Stacking Kit or on web.

Gas Dryer Specifications

- Product Weight – 130 Lbs. / Shipping Weight – 140 Lbs.
- An electrical supply with grounded three-prong receptacle is required. The power supply circuit must be installed in accordance with current edition of National Electrical Code (ANSI/NFPA 70) and local codes & ordinances. (Do not use same circuit as washer.)
- Voltage Rating – 120V/60Hz
- Connected Load (kW Rating) @ 120 Volts = 0.835 kW
- Amps @ 120V = 9A
- Equipped with 120V 3-wire power supply cord, approx. 60" long.
- Always consult local and national electric, gas & plumbing codes.
- Can be installed alone, with or without optional 15" pedestal drawer, or stacked above matching Electrolux Washer, which requires installation of optional dryer stacking kit. (For installation details, refer to instructions included with optional pedestal or stacking kit or on web.)
- Can be built in alone or with matching Electrolux Washer (side by side or stacked) in closet, recess or under counter installation with 0" minimum clearance required around sides and back of unit(s). To achieve 0" minimum rear clearance, dryer MUST be vented straight back or with quick-turn 90° elbow. Steam dryer requires additional 3/4" steam hose clearance at back of unit(s). Installation of closet door(s) requires additional 1" minimum clearance between front of unit(s) and door(s). Location of plumbing, exhaust and utility hookups MUST be considered when planning any built-in installation.
- Under-counter installation requires custom-built countertop and/or cabinetry to accommodate unit(s) height.
- Do NOT install in area exposed to dripping water or outdoor weather conditions, or where gasoline or other flammables, including automobiles, are kept or stored.

- For garage installation, dryer MUST be located minimum 18" above floor.
- Floor MUST be solid with 1" maximum slope. To ensure vibration or movement does not occur, reinforcement of floor may be necessary. Do NOT install on carpeted surface.
- Dryer MUST exhaust to outside of building, NOT into any concealed space.
- Dryer equipped for 4-way venting and approved for up to 125-foot-equivalent of duct length, determined by length of run and number of elbows needed.
- Exhaust installation requires minimum 4"-diameter rigid or semi-rigid metal duct with approved, unobstructed vent hood having swing-out damper(s). If installing rigid metal duct (preferred), do not exceed MAXIMUM venting run length of 125 ft., allow deductions for elbows and vents. If installing semi-rigid metal duct, do not exceed MAXIMUM venting run length of 8 ft., always allow deductions for elbows and vents (Refer to Product Installation Guide on web for additional information). Do NOT use flexible plastic or metal foil duct and use shortest run possible.
- Gas supply line should be 1/2" pipe and MUST have individual shutoff valve.
- Leveling legs supplied to level dryer properly and reduce excessive noise and vibration.
- Water inlet hose for steam setting connects to cold water supply with "Y" connector and requires 3/4" clearance between back of unit and wall.

Note: For planning purposes only. Refer to Product Installation Guide on the web at electroluxappliances.com for detailed instructions.

Optional Accessories

- Pedestal Drawers – Island White (PN # EPWD257UIW).
- Dryer Stacking Kit – (PN # STACKIT7X).
- LP Gas Conversion Kit – (PN # PCK4200).
- Drying Rack – (PN # A04840701).
- Assembly Hose Kit – (PN # 5304495002).

Electrolux Major Appliances, N.A.

USA • 10200 David Taylor Drive • Charlotte, NC 28262 • 1-877-4electrolux (1-877-435-3287) • electroluxappliances.com
 CANADA • 5855 Terry Fox Way • Mississauga, ON L5V 3E4 • 1-800-265-8352 • electroluxappliances.ca

EFMG427U 0518

© 2018 Electrolux Home Products, Inc.



High standards of quality at Electrolux Home Products, Inc. mean we are constantly working to improve our products. We reserve the right to change specifications or discontinue models without notice.